

PIC-OSD v1.2 by pi6TV; 13-03-2003

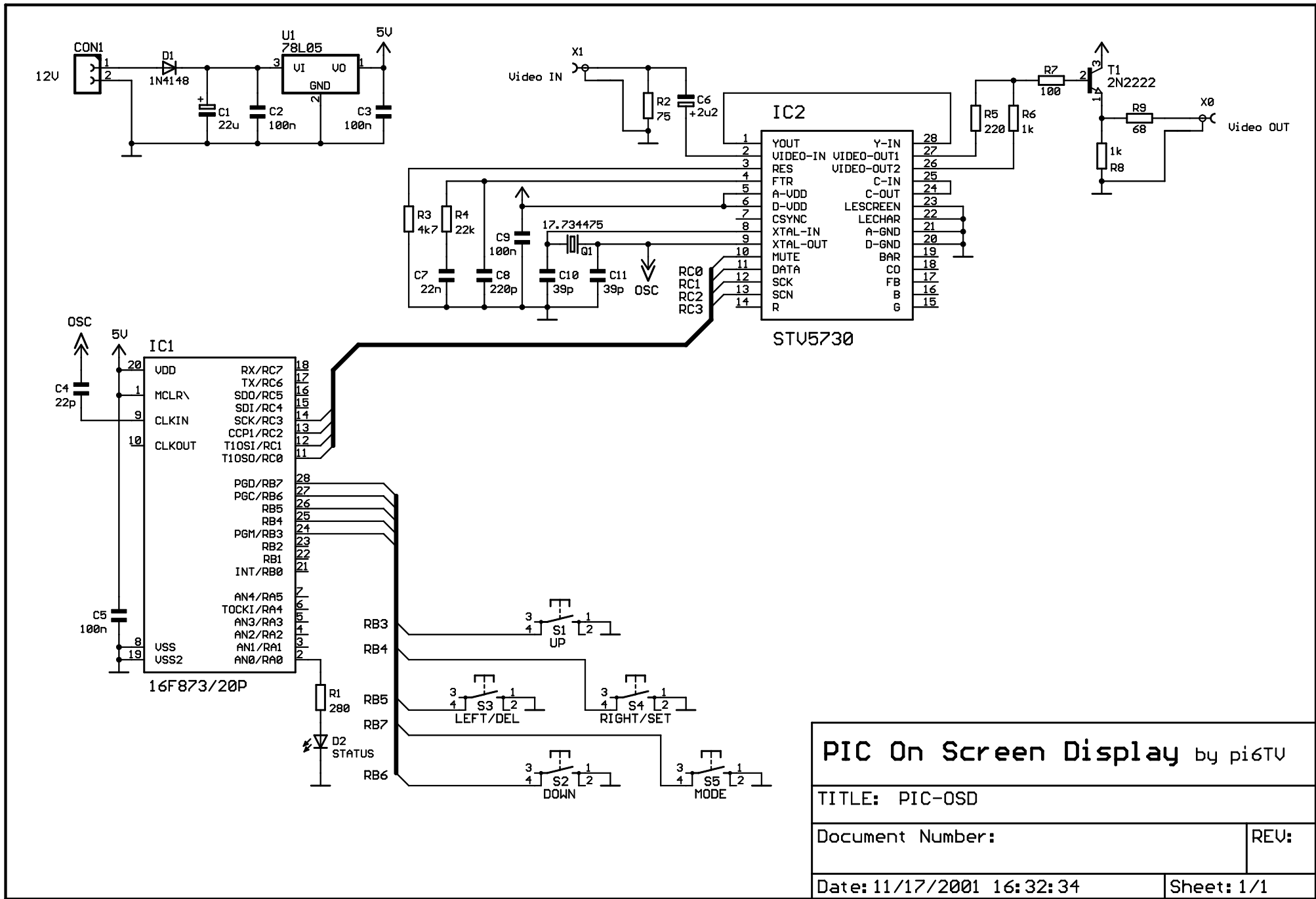
**!!! Please add an extra 22uF capacitor (C\*) @ 5V parallel to C3 !!!**

Partlist

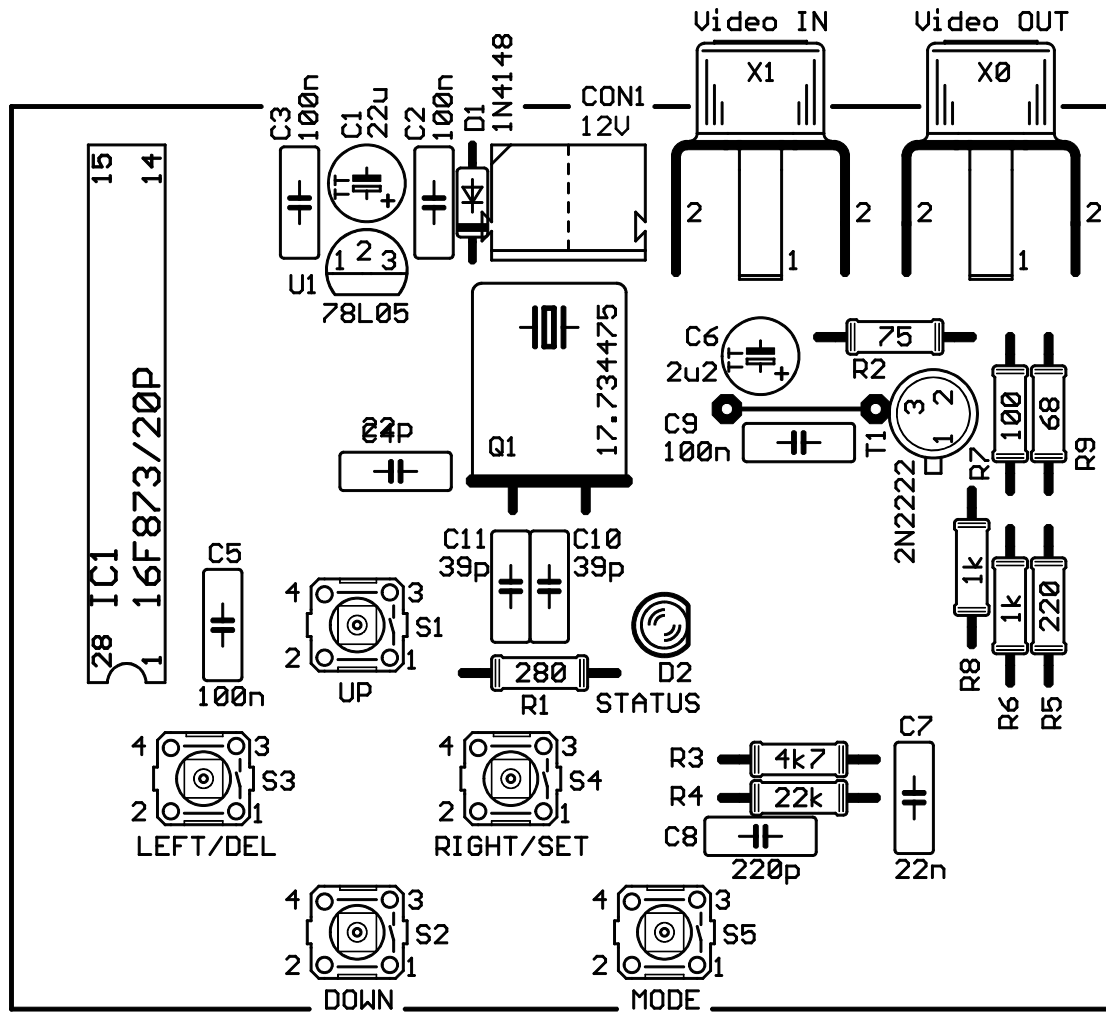
Exported from PIC-OSD at 13/03/2003 21:14:55

Part Value

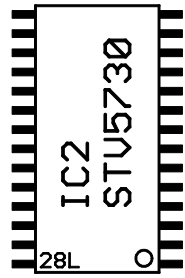
R9	68
R2	75
R7	100
R5	220
R1	280
R6	1k
R8	1k
R3	4k7
R4	22k
C4	22p
C10	39p
C11	39p
C8	220p
C7	22n
C2	100n
C3	100n
C5	100n
C9	100n
C6	2u2
C1	22u
<b>C*</b>	<b>22u</b>
D1	1N4148
D2	STATUS
T1	2N2222
U1	78L05
Q1	17.734475
IC1	16F873/20P
IC2	STV5730
CON1	12V
X0	Video OUT
X1	Video IN
S1	UP
S2	DOWN
S3	LEFT/DEL
S4	RIGHT/SET
S5	MODE



<b>PIC On Screen Display</b> by pi6TV	
TITLE: PIC-OSD	
Document Number:	REV:
Date: 11/17/2001 16:32:34	Sheet: 1/1



TOP VIEW



BOTTOM VIEW

